

Sanitary Single Filter Cartridge Housing (ST)

Instruction Manual



www.oztter.com

OZTTER CORPORATION

Contents

- ◎ **Notice 2-3**
- ◎ **Know Your Product4**
- ◎ **Instruction Manual 5 - 6**

Notice

1. Please follow the instruction manual to install and carry out a test for the housing.
2. This product is designed for filter equipment and used for water filtration only. Please do not use for other purposes to avoid danger.
3. This product is classified as a pressure vessel, and only professional or mechanical specialists can install and operate it.
4. Please read through the instruction manual before moving, installation and operation.
5. Please check the product and make sure that there are no any damages or components missing before installation. If the product is damaged, deformed or leaking, please stop operation.
6. Please choose the right cartridge filters for the water system before usage.
7. Please follow design specification to operate and take attention on the design pressure and operating pressure range.
8. The filter housing must be installed and fixed on the flat ground. Please do not install on the vibration ground.
9. Please do not open the top cover before installation and piping.
10. It is suggested to attach pressure control valve to keep stable water pressure to avoid sudden pressure change and result of leakage.

11. It may cause filter housing damage under sudden turn on and shut down of ball valve.

Moreover, to prevent damage caused by excess flow and reverse flow.

12. Be sure to release the internal pressure of the filter housing completely before filter cartridges replacement. Please be cautious of fluid ejection during high temperature usage.

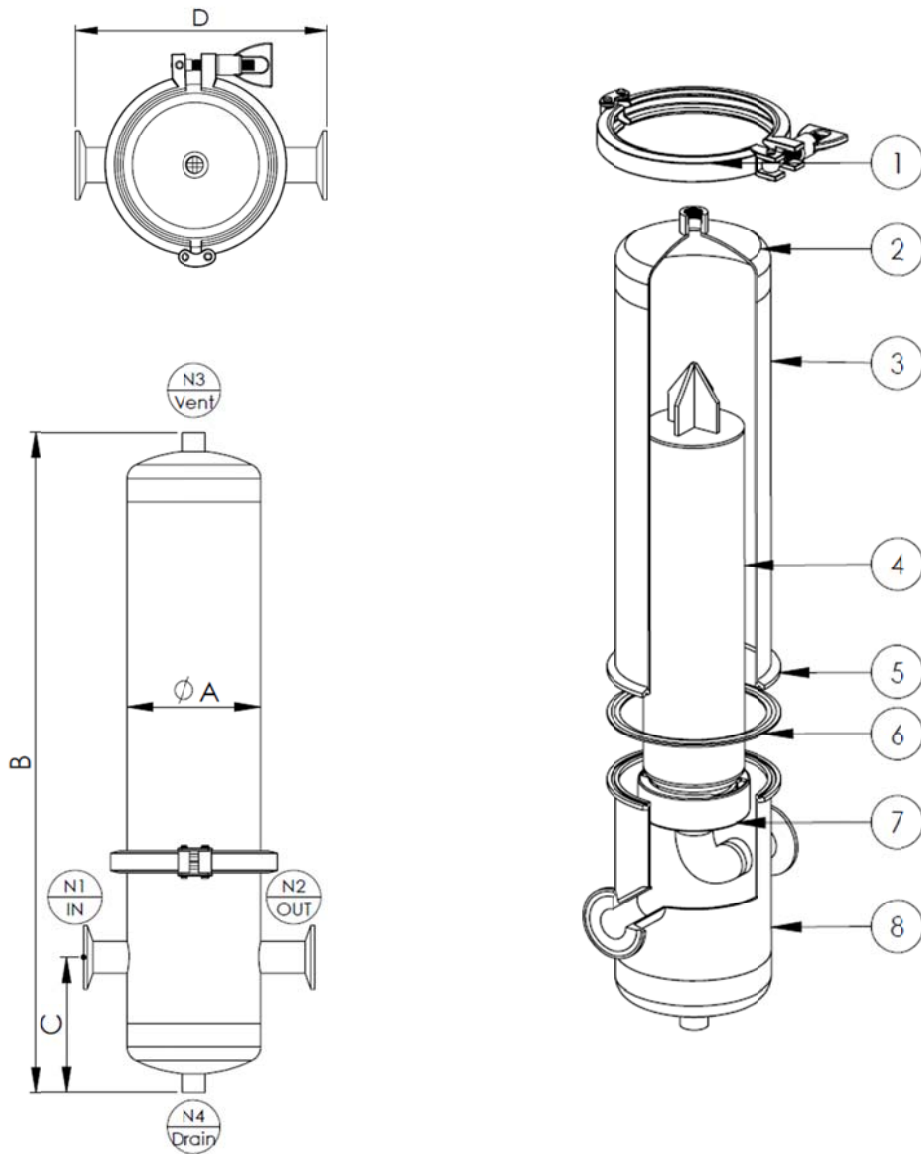
13. Please use the suitable O-ring and check it regularly. Please replace it if necessary.

Deterioration or damaged of O-ring may cause fluid leakage.

14. The internal plastics components will be deteriorated after long-term use. Please check it regularly and replace it if deterioration or damage is found.

Know Your Housing

No.	名稱	Description	No.	名稱	Description	No.	名稱	Description
1.	束環	Clamp	2.	端板	Top cover	3.	桶體	Shell
4.	濾芯	Filter Cartridge	5.	桶唇	Shell flange	6.	墊片	Gasket
7.	底座	Base	8.	桶體	Shell			



Instruction Manual

1. **Fix the Filter Housing** :

- a. Put the filter housing into the proper position, then fix it on the ground

2. **Pipe** :

- a. Connect the water port inlet and outlet to the main pipe.
- b. Install the exhaust valve and pressure gauge on N3 vent

3. **Operate The Filter Housing And Install The Internal Parts** :

- a. Release and remove ①clamp. Take out ③ shell .
- b. Align the center hole and install ④filter cartridge
- c. Check and make sure ⑥gasket is placed on the groove
- d. Put ③shell from the top down in parallel and place on the top of ⑥gasket.
- e. Open ①clamp and align it to the connection of ⑦base and ③shell. And then fasten ① clamp.

4. **Testing** :

- a. Close N4 drain and open N3 vent
- b. Pour in water until water comes from vent, and then close the vent valve
- c. Keep the above step for 30 minutes and checks whether there is leaking.

5. Stop Leaking :

- a. Please close the inlet port 、unfasten vent port to release internal pressure of the filter housing while liquid leakage occur.
- b. Unfasten ①Clamp, and fasten it tightly again.
- c. Open inlet port and add pressure gradually to check if leakage occurs.
- d. Please open inlet and outlet ports to start filtration if no liquid leakage occurs.

6. Stop Running :

- a. To stop filtration operation, please close inlet and outlet ports first to stop the flow inside.
- b. Open the vent to release pressure slowly.
- c. To make sure internal pressure is released completely and then open the filter housing.